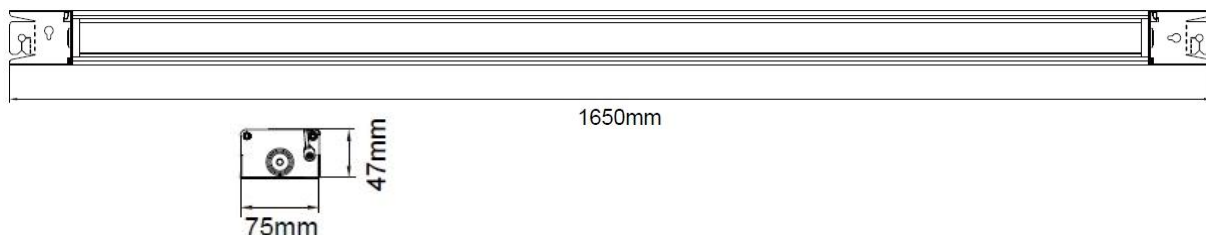
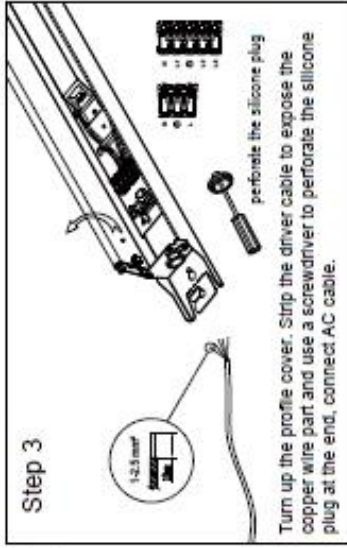


<b>Varenummer</b>	Eli Pro Gen II -115W
Beskrivelse	LED armatur m. Switch: 68-80-91-103-115W
Farve	Hvid
Volt	220-240 V~
Hz	50-60Hz
Opstarts strøm	>0.9w
URG	19
Mac Adams	3
Klasse	Class 1
Watt	Switch: 68-80-91-103-115W
Lumen	10800,12800,14560,16480,19000lm
Dæmpbar	Nej – Kan bestilles med Dali2
Gennemfortrådet	Ja- 5X1.5mm2
Spredning	90°
RA	> 90
CCT Kelvin	4000K
Levetid	100000H@L80B10 TA25°
Materiale	Pulverlakeret lampehus, med P lens
Anvendelse	Indendørs
IP	23
IK	08
Vægt	3,4Kg
Vedligeholde	Kan rengøres med tør klud (hårdt opvredet klud) - eller støvkost.
<b>Produkt garanti</b>	<b>5år</b>



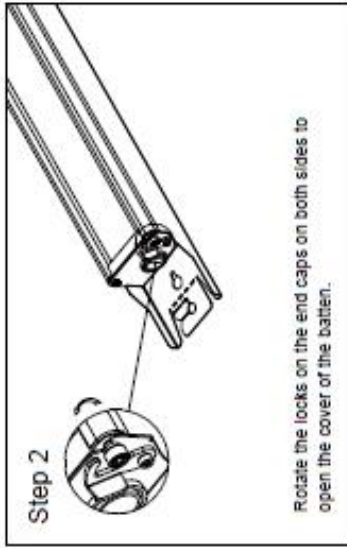
**Step 3**



perforate the silicone plug

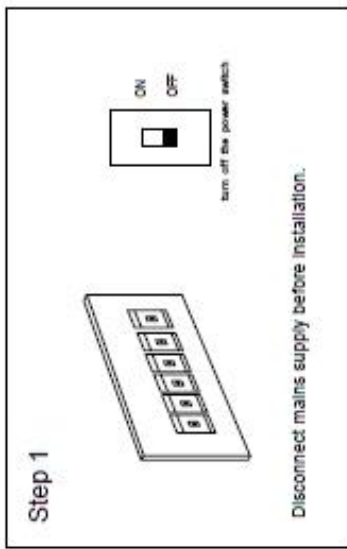
Turn up the profile cover. Strip the driver cable to expose the copper wire part and use a screwdriver to perforate the silicone plug at the end, connect AC cable.

**Step 2**



Rotate the locks on the end caps on both sides to open the cover of the battery.

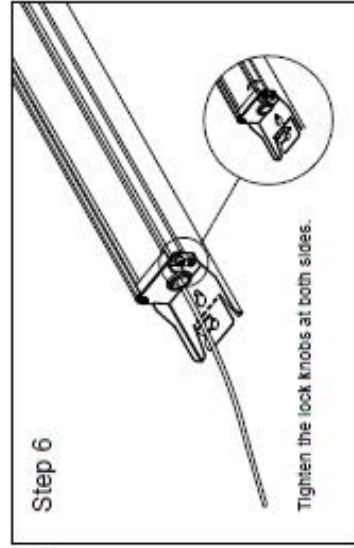
**Step 1**



Turn off the power switch

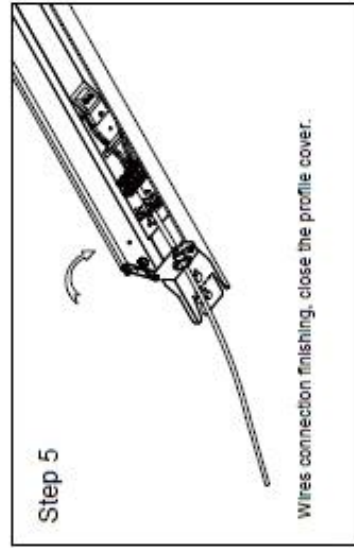
Disconnect mains supply before installation.

**Step 6**



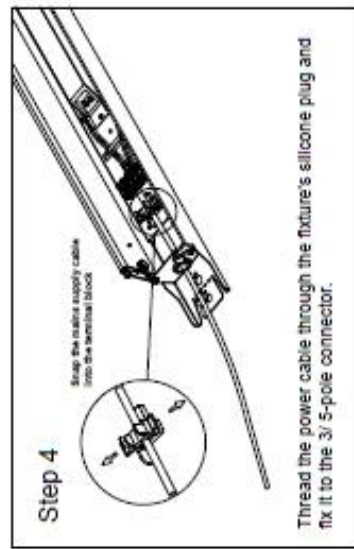
Tighten the lock knobs at both sides.

**Step 5**



Wires connection finishing, close the profile cover.

**Step 4**



Snap the main supply cable into the terminal block

Thread the power cable through the fixture's silicone plug and fix it to the 3/5-pole connector.

